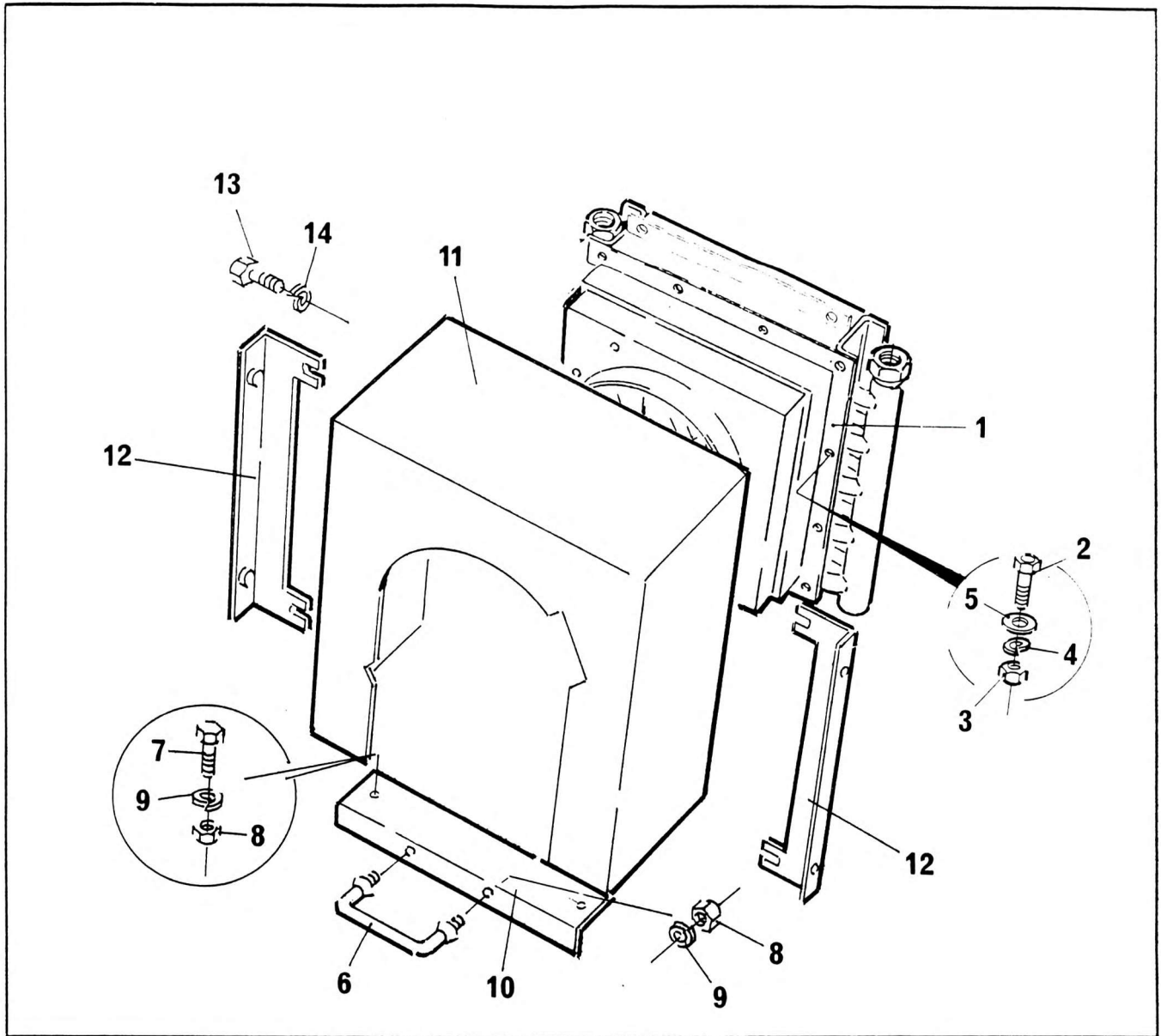


HYDRAULIC OIL COOLER INSTALL



NO.	PART NO.	QTY.	DESCRIPTION	NO.	PART NO.	QTY.	DESCRIPTION
1 +	6-726-990066	1	Oil Cooler Assy				
2	7045306	4	Screw M10 x 20 Lg				
3	7069601	4	Nut M10				
4	7067212	4	Washer Spring M10				
5	7066538	2	Washer M10				
6	8738615	1	Grab Handle				
7	7-126-171150	2	Screw M8 x 20				
8	7-661-170003	4	Nut 8mm				
9	7-951-170210	4	Spring Washer M8				
10	6-705-997845	1	Plate - Handle Mounting				
11	6-705-997788	1	Oil Cooler Cover				
12	6-966-990399	2	Oil Cooler Cover				
13	7-126-151053	4	Screw M6 x 16 Long				
14	7-951-150210	4	Spring Washer M6				

+ See further breakdown in this group